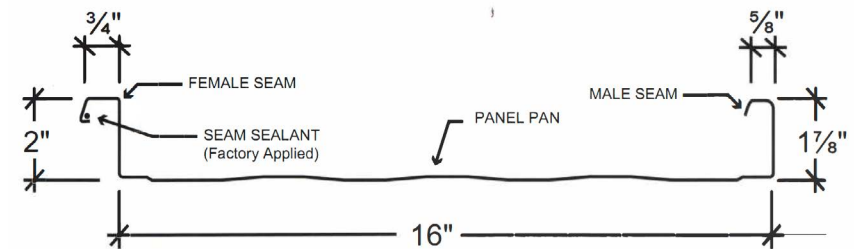
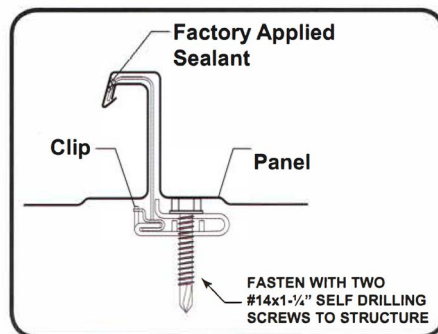


ALOK-16 PANEL

Mechanically Seamed Roof Panel

Alliance Lok -16 (Alok-16) is a 2" vertical rib panel that offers 16" of in place coverage. The Alok-16 panel simple vertical rib design allows for freedom of design for hips, valleys, dormers and other architectural roof features. The panel requires mechanically field seaming which assures the designer, owner and erector a long-term leak free performer when correctly installed. Alok-16 can be installed over open framing on 5'-0" centers while maintaining maximum uplift ratings even in the corner and edge zones in high wind/coastal areas. The panel can be utilized from ice and snow country to high wind coastal areas with excellent performance results without having to adjust the purlin spacings from 5'-0". The panel has been tested for all applications from open sub-framing, wood deck and composite systems. A revolutionary roofing system that offers simple seaming and outstanding weather-tightness protection under all roof loading conditions. Alok-16 is available in all ASI color offerings and several gauges.



- 16" Panel with 2" Structural Standing Seam For Open Framing
- 90° or 180° Mechanical Seam
- Can be used on roof slopes as low as 1/2:12
- Factory-Applied Sealant In The Female Rib
- Clips Allow A Full 3" Of Thermal Movement
- Ideal For Challenging Hip And Valley Roof Designs
- Available Striated Or With Pencil Stiffener Ribs
- UL 90 Class 580 Wind Uplift Rated.
- FM 4471 Class 1-90 and 1-165 Uplift Rated
- FM Fire and Class 1-SH Hail Resistance Rated
- Army Corps Of Engineers ASTM E-1592 Tested
- ASTM E-1680 Air and E-1646 Water Tested
- Texas Department of Insurance Windstorm Tested
- Weathertight Warranties Available

The AllianceLok 16 panel system has been tested and certified by independent testing agencies and laboratories and achieved the loads and listings shown below

Underwriters Laboratories Inc. Construction No. 506, 506A, 506B

UL LISTING	PANEL WIDTH	PANEL GAUGE	SEAM TYPE	PURLIN GAUGE	PURLIN SPACING
UL-90	16"	24 ga.	All Seam Types	16 ga.	5'10"

Factory Mutual 4471 Uplift Test Results

AllianceLok 16 roof with TripleLok or QuadLok Seam

FM LISTING	PANEL WIDTH	PANEL GAUGE	PURLIN DEPTH	PURLIN GAUGE	PURLIN SPACING
1-90	t6"	24 ga.	8"	16 ga.	5'10"
1-165	1d"	22 ga.	8"	16 ga.	2'6"

ASTM E 1592 Uplift Test Results

AllianceLok 16 roof with TripleLok Seam

PURLIN SPACING	PANEL WIDTH	PANEL GAUGE	AISI REPORT # C-1432-1
2'0"	1 6"	24 ga.	136.4
5'0"	16"	24 ga.	56.6

COE 07416 Factor Of Safety = 1.65

ASTM E 1592 Uplift Test Results

AllianceLok 16 roof with QuadLok Seam

PURLIN SPACING	PANEL WIDTH	PANEL GAUGE	AISI REPORT # C-1432-1
2'0"	16"	24 ga.	191.2
5'0"	16"	24 ga.	78.8

COE 07416 Factor Of Safety = 1.65

ASTM E-1680 Air Infiltration @ 1.57 psf = 0.001 CFM/sq.ft

ASTM E-1646 Water Penetration = None @ 50.0 psf



Approval #FL41984

Texas Department of Insurance Windstorm Tested